



## ALUMINIUM PROFILE WRAPPING MACHINE APAM-7000 DH



## ALUMINIUM PROFILE WRAPPING MACHINE APAM-7000 DH TECHNICAL DETAILS

This machines are suitable for aluminium or plastic profile packing.  
You can use pvc-nylon or paper for packing.  
Machine has got sensor and sensor is feeling profile and making operate start & stop.

### Power:

**Main Motor** : 1.5 Kw with gear box  
Speed adjustable with inverter, between 0-200 Rpm  
Easy to change speed on digital display from operator panel

**Driver Motor** : 0,37 Kw with gear box  
Speed adjustable with inverter, between 0-30 m/min  
Easy to change speed on digital display from operator panel

**Driver Roller Diameter** : Ø 85 mm Rubber

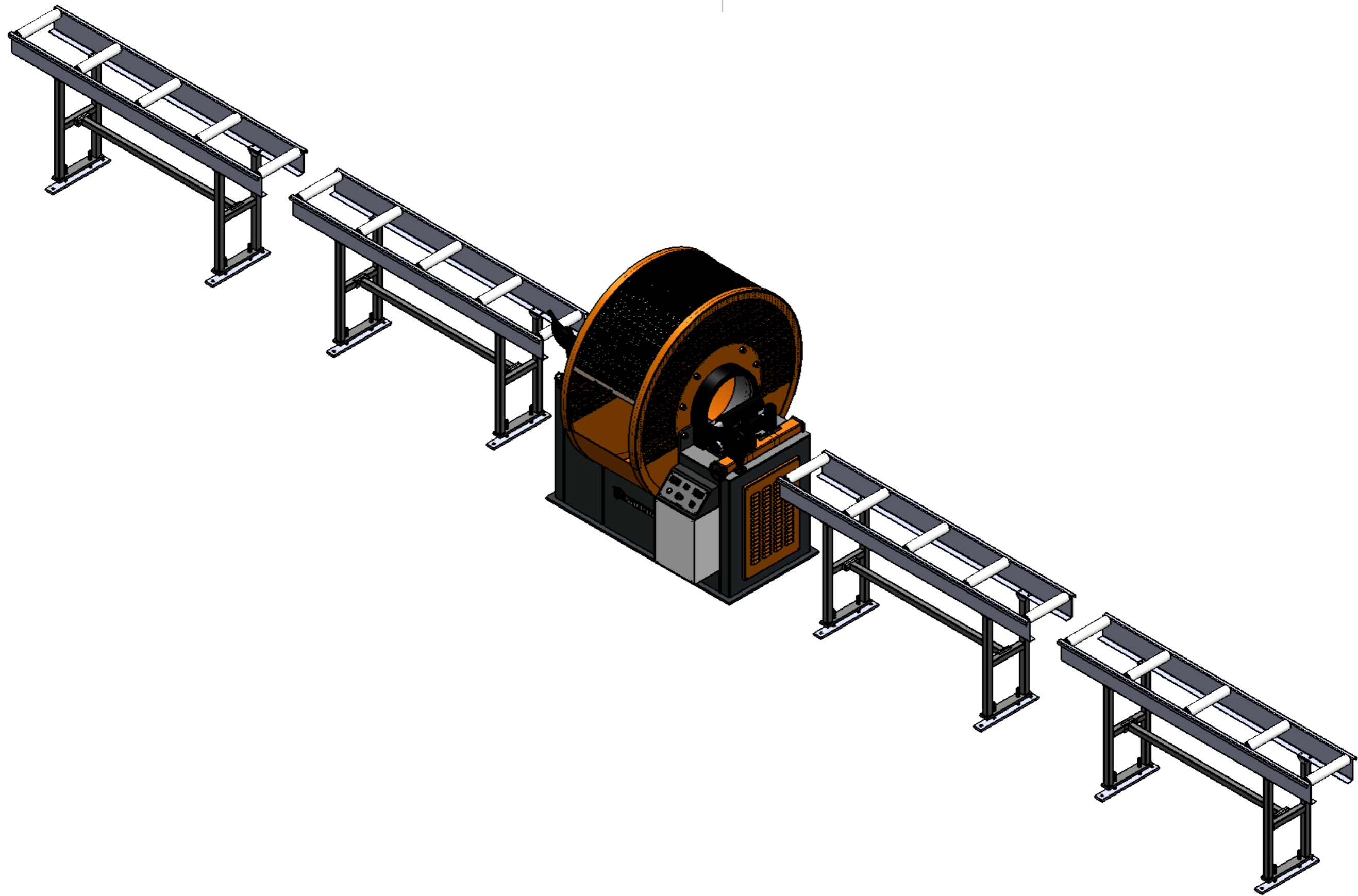
**In feed Tables** : 2 pcs 2 meter free spinning table.

**Out feed Tables** : 2 pcs 2 meter free spinning table.

**Wrapping Capacity** : Max. Ø285 mm  
Max 300 x 210 mm

**Colour** : Ral 7016  
Ral 2000

(2)



	AD SOYAD	İMZA	TARİH
ÇİZEN	Mak.Müh. Mehmet M. AKKURT		
DENET.	Mak.Müh. Mehmet M. AKKURT		
ONAY.	Mak.Müh. Mehmet M. AKKURT		
MALZEME:			
AĞIRLIK:			

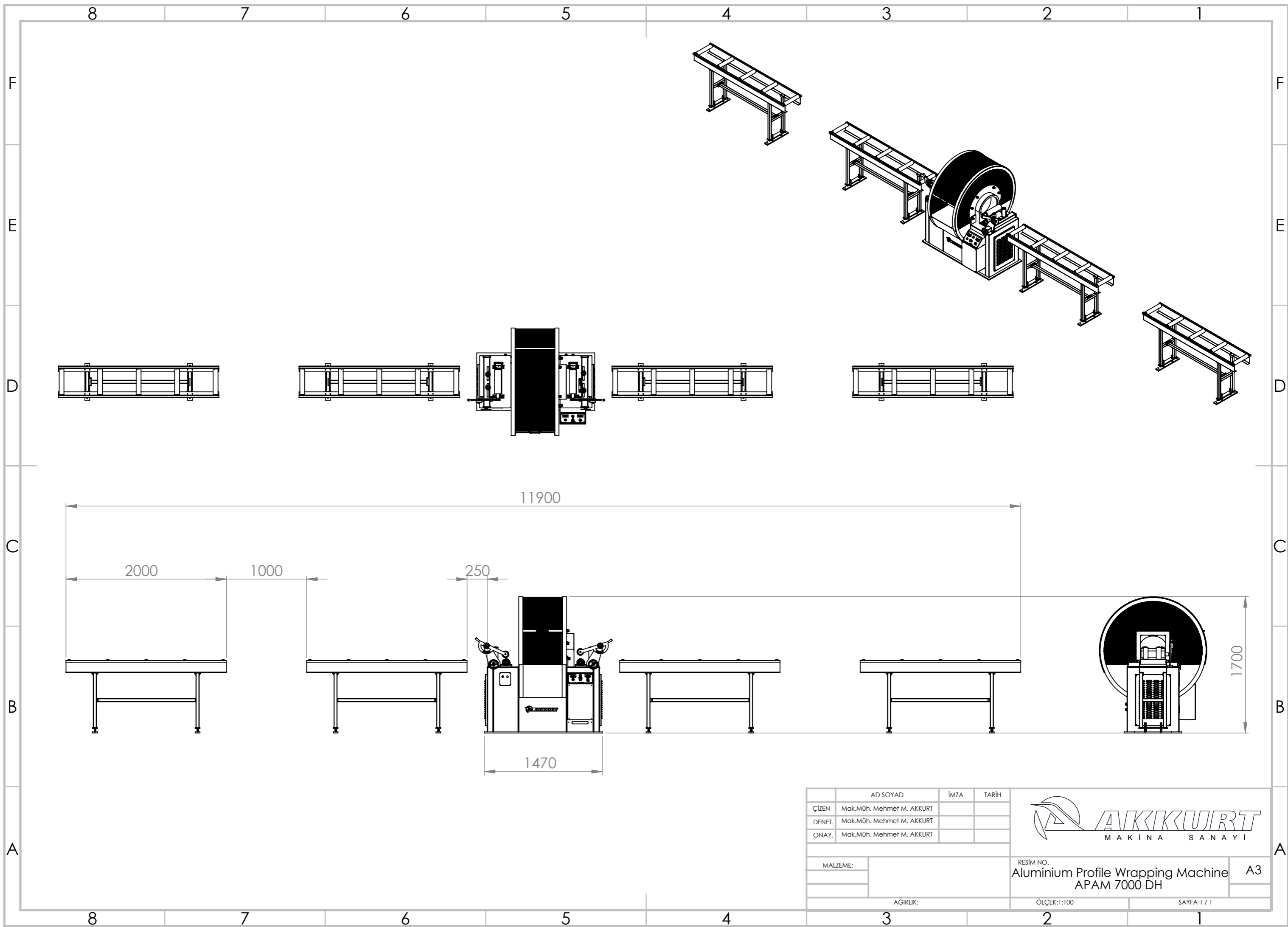


RESİM NO: Alüminyum Profil Ambalaj Makinası  
APAM 7000 DH

A3

ÖLÇEK:1:100

SAYFA 1 / 1



	AD SOYAD	İMZA	TARİH
ÇİZEN	Mak.Müh. Mehmet M. AKKURT		
DENET.	Mak.Müh. Mehmet M. AKKURT		
ONAY.	Mak.Müh. Mehmet M. AKKURT		
MALZEME:			
AĞIRLIK:			



RESİM NO.  
**Aluminium Profile Wrapping Machine**  
**APAM 7000 DH**

A3

ÖLÇEK:1:100

SAYFA 1 / 1